

## The product advantages



Recessed area in the lid for the mounting of membrane keypads or display screens (BOP 500, 700, 900: 1.8 mm; BOP 7.0, BOP 10.1: 2.5 mm).



Variants with and without battery compartment (up to size BOP 900).



Enclosure protection by means of optional impact protection in combination with design seal; available in several colours. Ergonomic grip recesses on the enclosure and also on the impact protection (BOP 7.0 or BOP 10.1 respectively).



Integrated VESA mounting (75 x 75mm), also used for mounting the optional wall fitting (BOP 7.0, BOP 10.1).



Optimised for the integration of touch screens and Li-Ion rechargeable battery system 18650 (BOP 7.0 or BOP 10.1 respectively).



**Quick-Finder:**  
[www.bopla.de/35](http://www.bopla.de/35)

## Examples of use





**BOPLA**

A Phoenix Mecano Company

# BoPad



## Colour:

● Black, similar to RAL 9005

● White, similar to RAL 9016

Special colours on request

## Protection class:

IP40, with seal: IP65 DIN EN 60529

## Material:

Enclosure: ABS

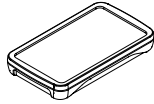
Seal / impact protection: TPE

For details see technical information.

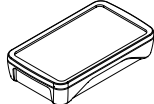


## Enclosure sizes

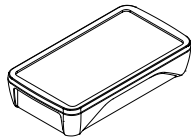
BOP 520



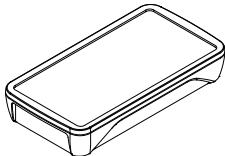
BOP 500



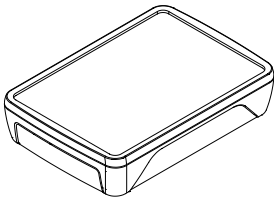
BOP 700



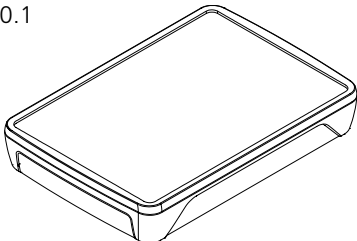
BOP 900



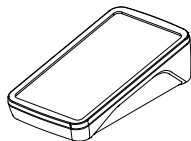
BOP 7.0



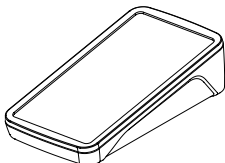
BOP 10.1



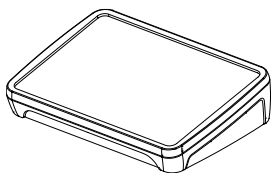
BOP 700 PH



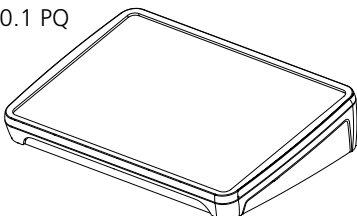
BOP 900 PH



BOP 7.0 PQ

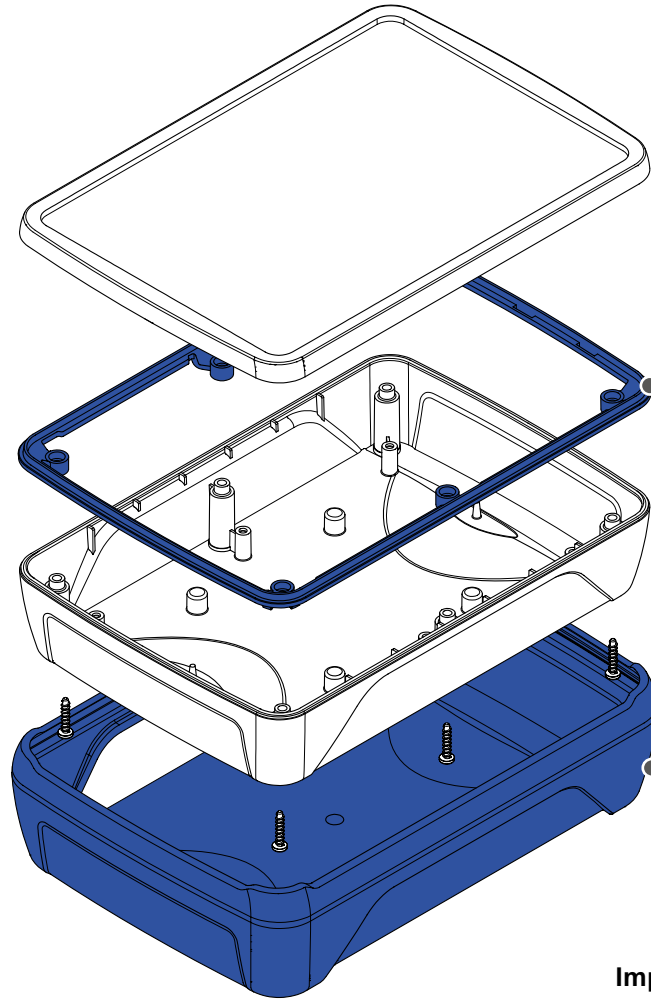


BOP 10.1 PQ



## Design types

Dimensions



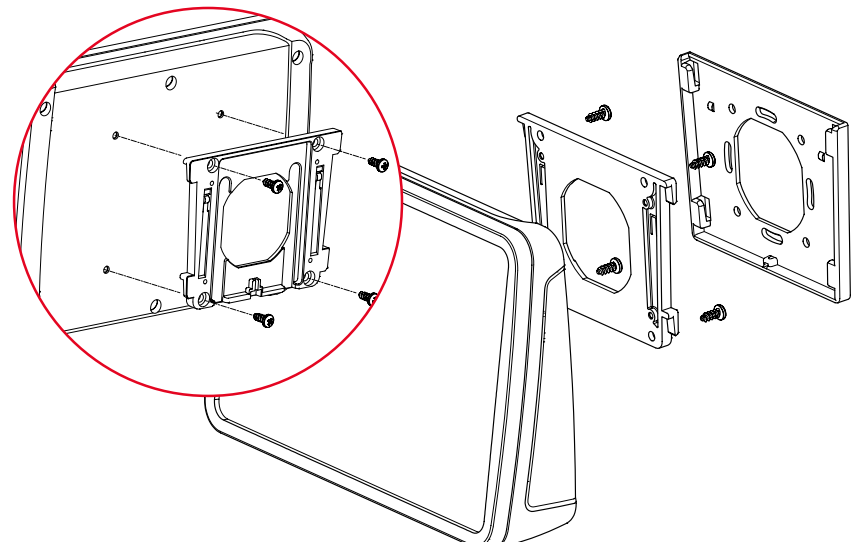
Design seal



Impact protection

Wall fitting

to VESA standard 75 x 75 mm

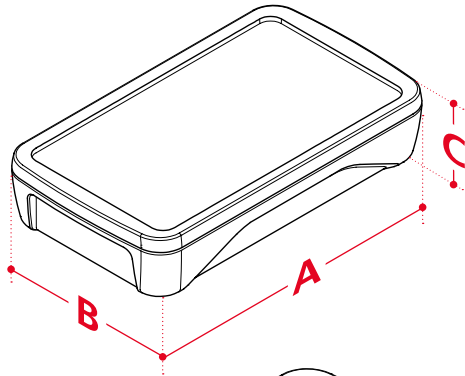


# BoPad

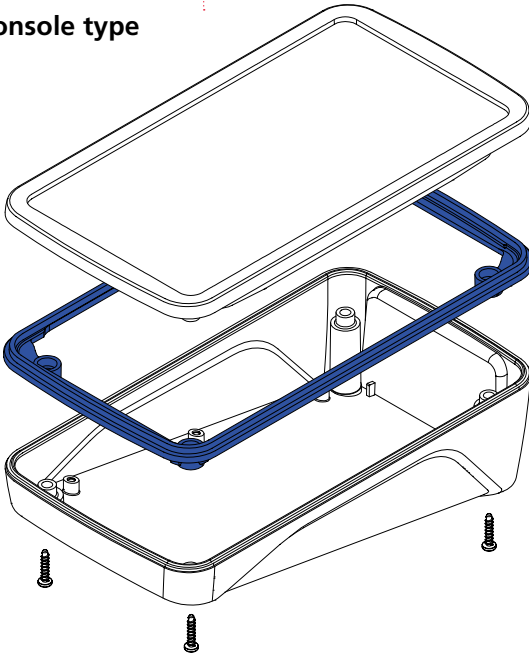


**BOPLA**

A Phoenix Mecano Company

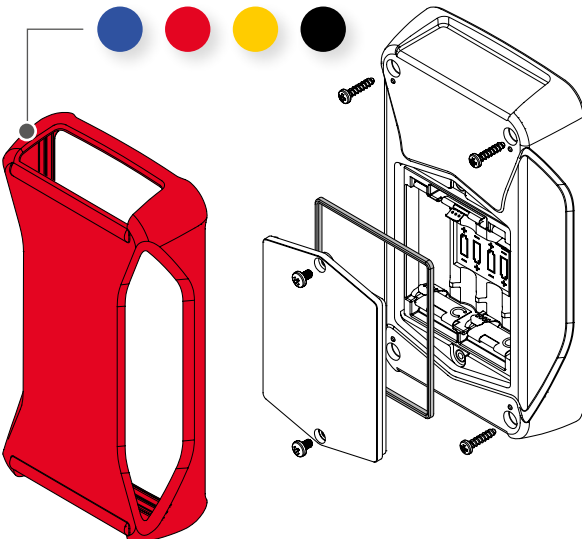


Console type



Impact protection

Battery compartment



## Dimensions

Model	A	B	C (Flat)	C (Console)
BOP 520	130	75	17.5	-
BOP 500	130	75	26	-
BOP 700	165	90	34	47.5
BOP 900	200	105	34	53.6
BOP 7.0	215	150	46	53
BOP 10.1	285	198	46	61.2

## Variants

Model	Battery compartment	Console type	VESA fitting	Touch/Display optimised
BOP 520	✓			2.4", 2.8"
BOP 500	✓			2.4", 2.8"
BOP 700	✓	✓		3.5", 4.3"
BOP 900	✓	✓	✓*	3.5", 4.3", 5.0"
BOP 7.0		✓	✓	7"
BOP 10.1		✓	✓	10.1"

\* Additional processing of the enclosure is required

## Accessories



Rechargeable battery holder for 18650 Li-Ion batteries for BOP 7.0 / BOP 10.1

Universal VESA standard (75 x 75) wall fitting, glass fibre reinforced polyamide



Screw covers for enclosure screws

# BoPad

## Hand-held enclosure



### Hand-held enclosure, IP40 (IP65)

Model	Order no.	A	B	C	a1	a2	b1	b2	c1	c3	Colour
BOP 520-9005	35152015	130	75	17.5	114	115.8	64	62.6	10	2.5	Black
BOP 520-9016	35152016	130	75	17.5	114	115.8	64	62.6	10	2.5	White
BOP 500-9005	35150015	130	75	26	114	115.8	64	62.6	18.5	2.5	Black
BOP 500-9016	35150016	130	75	26	114	115.8	64	62.6	18.5	2.5	White
BOP 700-9005	35170015	165	90	34	147	147.3	77	74.1	25.5	3	Black
BOP 700-9016	35170016	165	90	34	147	147.3	77	74.1	25.5	3	White
BOP 900-9005	35190015	200	105	34	180	181.9	90	89.1	25.5	3	Black
BOP 900-9016	35190016	200	105	34	180	181.9	90	89.1	25.5	3	White

**Scope Of Delivery:** Lid and base, 4 screws

**Notes:** Upgradable to IP65 with design seal BOP\_DI.



### Hand-held enclosure with battery compartment, IP40 (IP65)

Model	Order no.	A	B	C	a1	a2	b1	b2	c1	c2	c3	Colour
BOP 500 BE4MC-9005	35150025	130	75	26	114	115.8	64	62.6	18.5	6.1	2.5	Black
BOP 500 BE4MC-9016	35150026	130	75	26	114	115.8	64	62.6	18.5	6.1	2.5	White
BOP 700 BE4MN-9005	35170025	165	90	34	147	147.3	77	74.1	25.5	8.6	3	Black
BOP 700 BE4MN-9016	35170026	165	90	34	147	147.3	77	74.1	25.5	8.6	3	White
BOP 900 BE4MN-9005	35190025	200	105	34	180	181.9	90	89.1	25.5	8.6	3	Black
BOP 900 BE4MN-9016	35190026	200	105	34	180	181.9	90	89.1	25.5	8.6	3	White

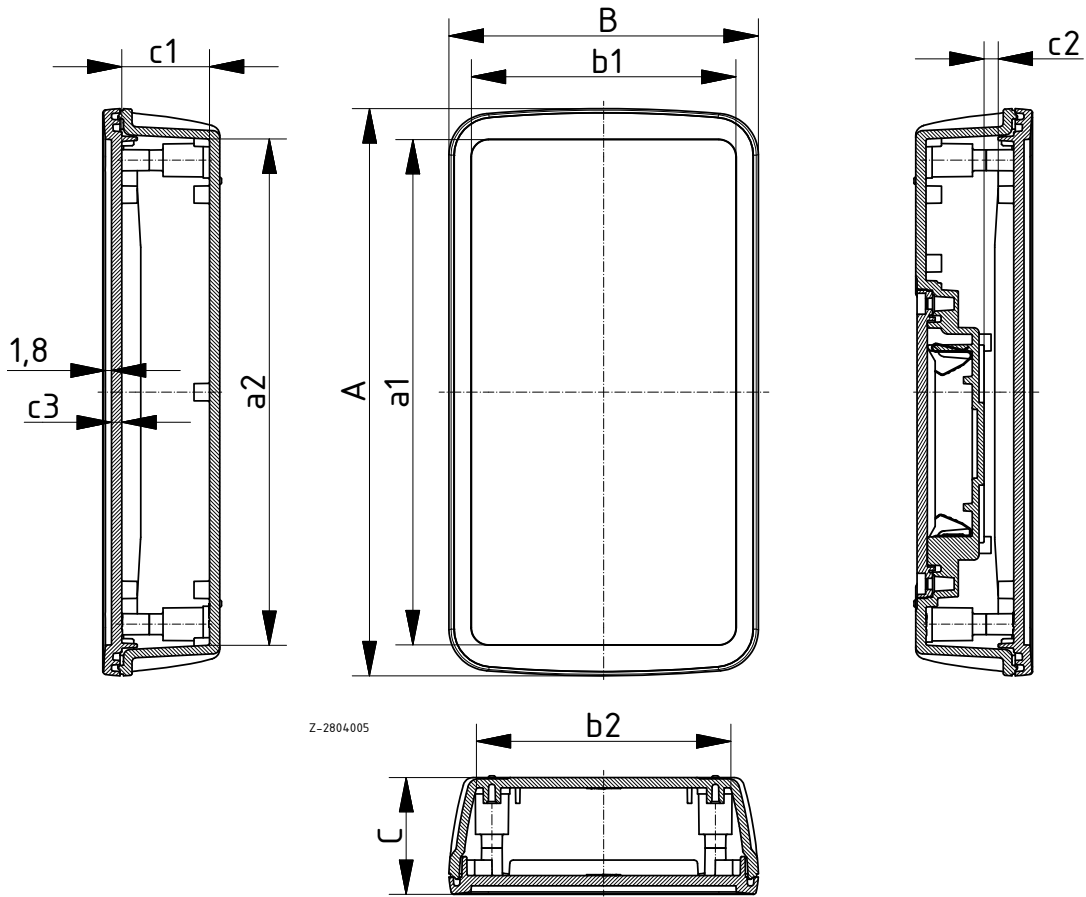
**Scope Of Delivery:** Lid and base, 4 screws, battery compartment lid, screws, battery contacts

**Notes:** Upgradable to IP65 with design seal BOP\_DI.



**BOPLA**

A Phoenix Mecano Company



# BoPad

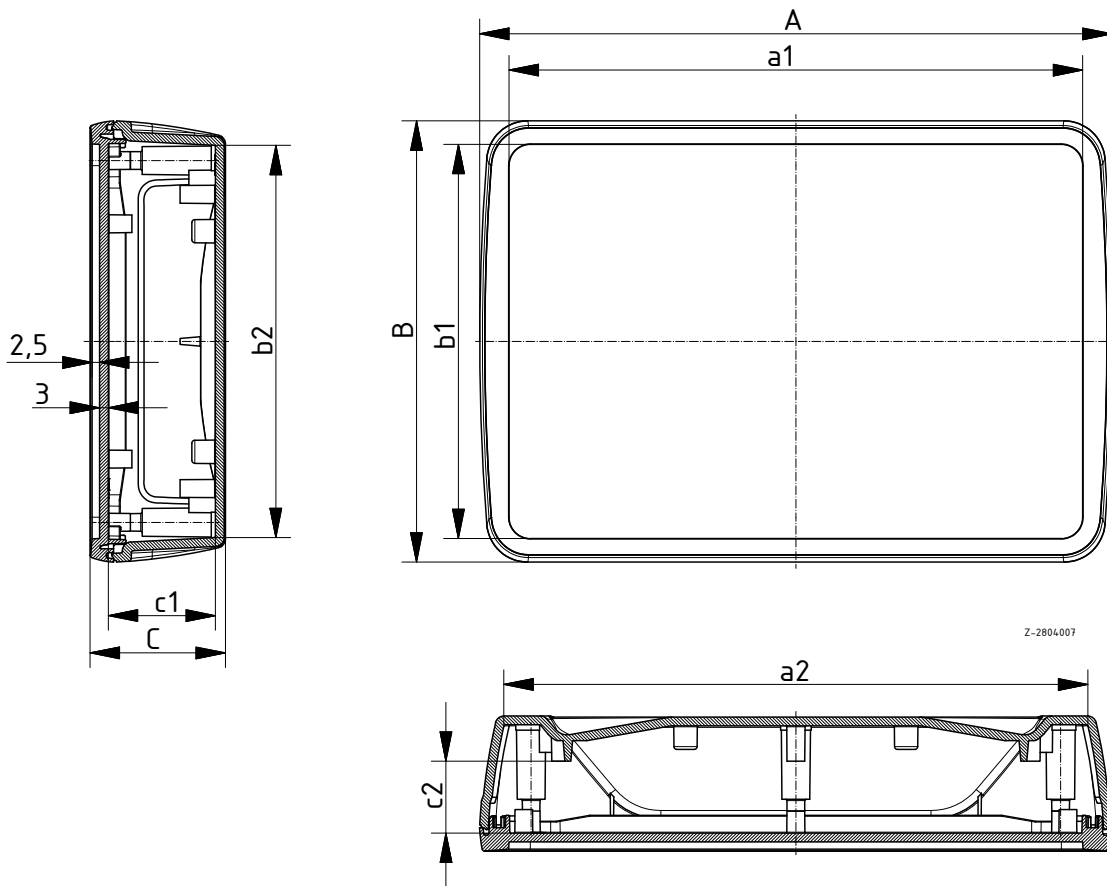
## Hand-held enclosure

### Touch/operating enclosure, IP40 (IP65)

Model	Order no.	A	B	C	a1	a2	b1	b2	c1	c2	Colour
BOP 7.0-9005	35107015	215	150	46	195	193.9	134	133.4	36.4	24.4	Black
BOP 7.0-9016	35107016	215	150	46	195	193.9	134	133.4	36.4	24.4	White
BOP 10.1-9005	35110115	285	198	46	262	262.9	181	180.9	36.4	24.4	Black
BOP 10.1-9016	35110116	285	198	46	262	262.9	181	180.9	36.4	24.4	White

**Scope Of Delivery:** Lid and base, 6 screws

**Notes:** The enclosures are designed for the integration of 7.0" and 10.1" touch screens / displays. Upgradable to IP65 with design seal BOP\_DI.





# BoPad

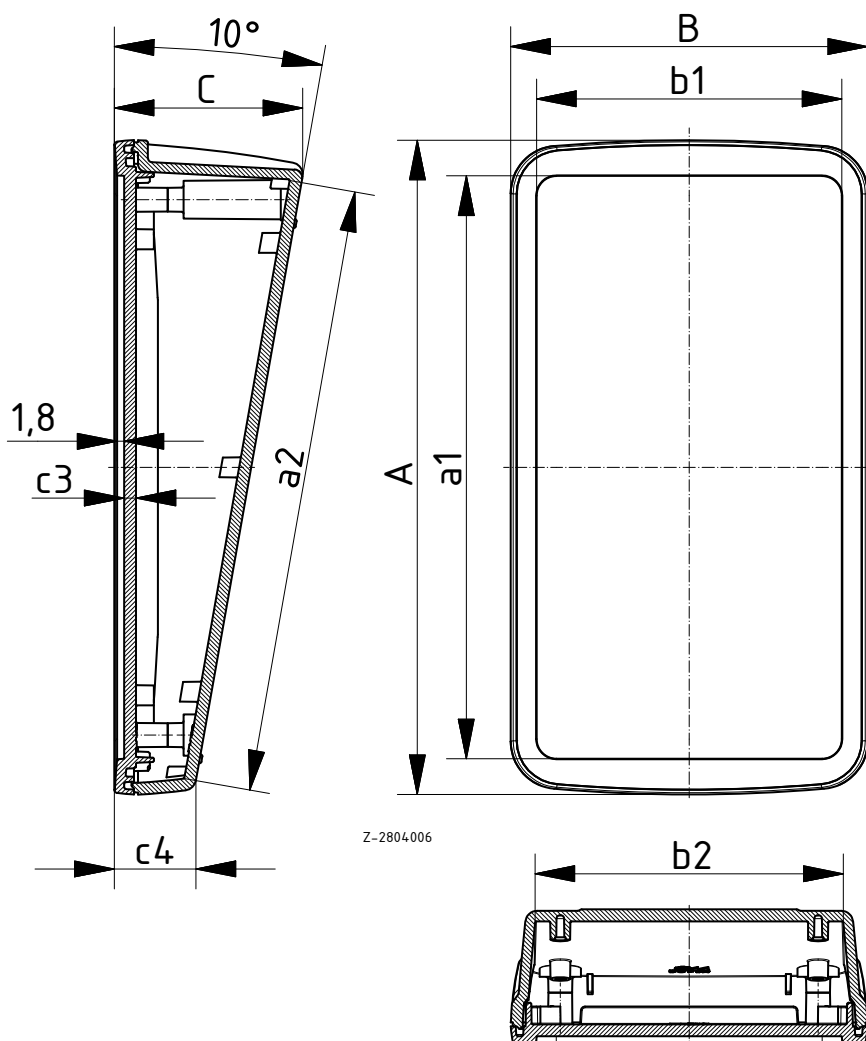
## Desktop enclosure

### Desktop enclosure, IP40 (IP65)

Model	Order no.	A	B	C	a1	a2	b1	b2	c3	c4	Colour
BOP 700 PH-9005	35170035	165	90	47.5	147	153.4	77	77.1	3	20.6	Black
BOP 700 PH-9016	35170036	165	90	47.5	147	153.4	77	77.1	3	20.6	White
BOP 900 PH-9005	35190035	200	105	53.6	180	188.8	90	91.5	3	20.6	Black
BOP 900 PH-9016	35190036	200	105	53.6	180	188.8	90	91.5	3	20.6	White

**Scope Of Delivery:** Lid and base, 4 screws, 4 rubber feet

**Notes:** Upgradable to IP65 with design seal BOP\_DI.





# BoPad

## Desktop enclosure

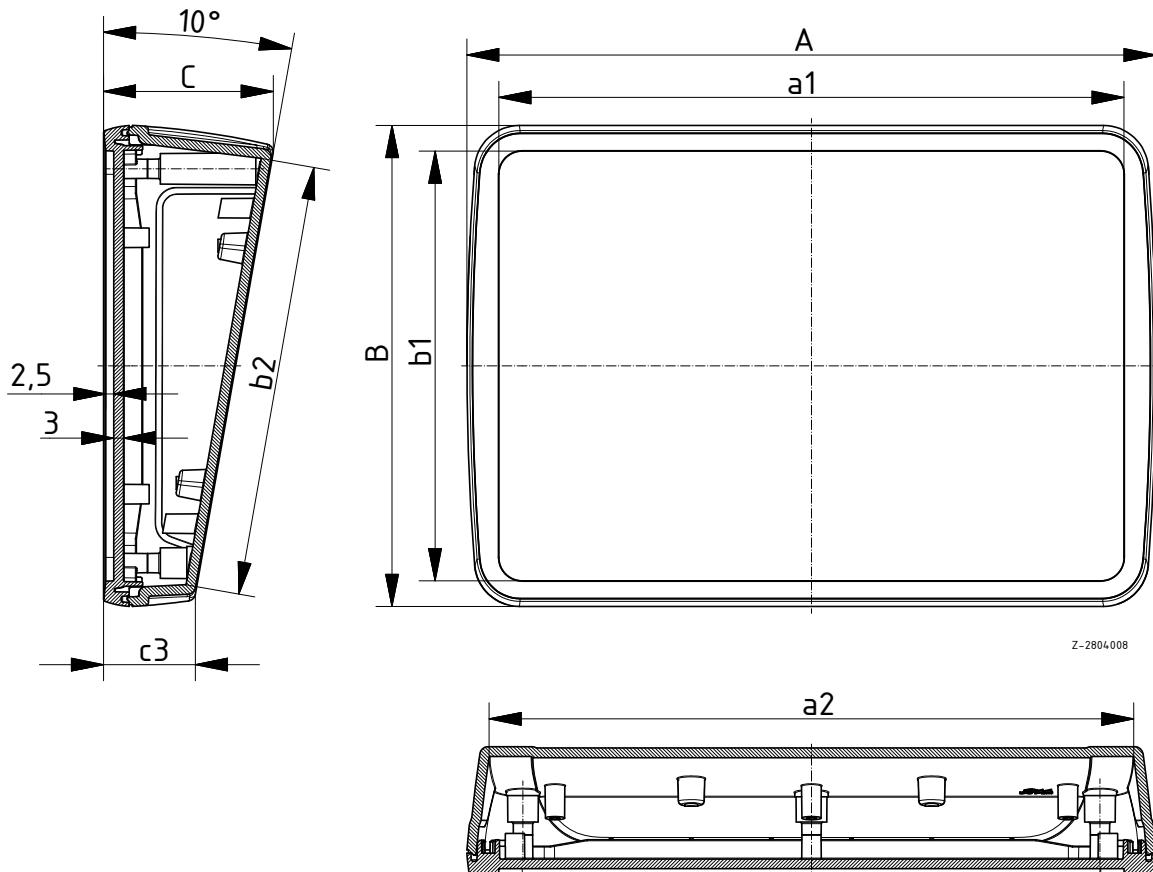


### Touch/operating console enclosure horizontal, IP40 (IP65)

Model	Order no.	A	B	C	a1	a2	b1	b2	c3	Colour
BOP 7.0 PQ-9005	35107045	215	150	53	195	196.9	134	135.1	28.7	Black
BOP 7.0 PQ-9016	35107046	215	150	53	195	196.9	134	135.1	28.7	White
BOP 10.1 PQ-9005	35110145	285	198	61.2	262	266	181	182.8	28.7	Black
BOP 10.1 PQ-9016	35110146	285	198	61.2	262	266	181	182.8	28.7	White

**Scope Of Delivery:** Lid and base, 6 screws, 4 rubber feet

**Notes:** The enclosures are designed for the integration of 7.0" and 10.1" touch screens / displays. Upgradable to IP65 with design seal BOP\_DI.

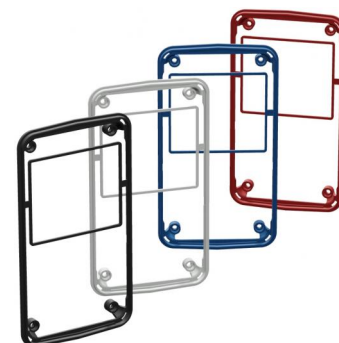


# BoPad

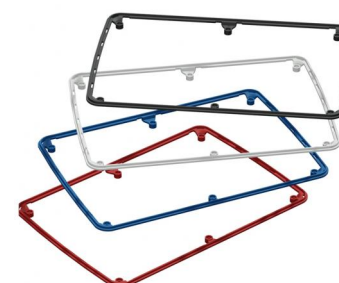
## Seals

### Design seal, IP65

Model	Order no.	Colour	Note
BOP 500 DI-9005	35250005	Black	For BOP 500, 520
BOP 500 DI-9016	35250006	White	For BOP 500, 520
BOP 500 DI-5005	35250000	Signal blue	For BOP 500, 520
BOP 500 DI-3001	35250001	Signal red	For BOP 500, 520
BOP 700 DI-9005	35270005	Black	
BOP 700 DI-9016	35270006	White	
BOP 700 DI-5005	35270000	Signal blue	
BOP 700 DI-3001	35270001	Signal red	
BOP 900 DI-9005	35290005	Black	
BOP 900 DI-9016	35290006	White	
BOP 900 DI-5005	35290000	Signal blue	
BOP 900 DI-3001	35290001	Signal red	
BOP 7.0 DI-9005	35207005	Black	
BOP 7.0 DI-9016	35207006	White	
BOP 7.0 DI-5005	35207000	Signal blue	
BOP 7.0 DI-3001	35207001	Signal red	
BOP 10.1 DI-9005	35210105	Black	
BOP 10.1 DI-9016	35210106	White	
BOP 10.1 DI-5005	35210100	Signal blue	
BOP 10.1 DI-3001	35210101	Signal red	



BOP 500 DI, BOP 700 DI, BOP 900 DI



BOP 7.0 DI, BOP 10.1 DI

**Scope Of Delivery:** Enclosure seal and battery compartment seal

**Notes:** Use the battery compartment if required.

## BoPad Accessories



### Impact protection

Model	Order no.	Colour
BOP 500 S-9005	35350005	Black
BOP 500 S-5005	35350000	Signal blue
BOP 500 S-3001	35350001	Signal red
BOP 500 S-1003	35350003	Signal yellow
BOP 700 S-9005	35370005	Black
BOP 700 S-5005	35370000	Signal blue
BOP 700 S-3001	35370001	Signal red
BOP 700 S-1003	35370003	Signal yellow
BOP 900 S-9005	35390005	Black
BOP 900 S-5005	35390000	Signal blue
BOP 900 S-3001	35390001	Signal red
BOP 900 S-1003	35390003	Signal yellow
BOP 7.0 S-9005	35307005	Black
BOP 7.0 S-5005	35307000	Signal blue
BOP 7.0 S-3001	35307001	Signal red
BOP 7.0 S-1003	35307003	Signal yellow
BOP 10.1 S-9005	35310105	Black
BOP 10.1 S-5005	35310100	Signal blue
BOP 10.1 S-3001	35310101	Signal red
BOP 10.1 S-1003	35310103	Signal yellow

**Scope Of Delivery:** Impact protection

**Notes:** With impact protection, design seal BOP...DI must be mounted on the enclosure.



### Universal VESA standard (75x75) wall fitting, polyamide glass fibre reinforced

Model	Order no.	Colour
VESA-WB-9005	35111005	Black
VESA-WB-9016	35111016	White

**Scope Of Delivery:** Enclosure adapter, wall panel, 4 fastening screws, 1 fixing screw

**Notes:** Enclosure adapter for direct mounting on the BOP 7.0 / BOP 10.1 by means of processing, also for screwing onto the BOP 900. The wall panel is suitable for wall mounting, cavity wall box mounting and VESA mounting. The wall fitting can be used for every enclosure with a fixing area greater than/equal to 115x90 mm.

# BoPad

## Accessories

### Screw covers for enclosure screws

Model	Order no.	Colour
BOP-SA-9005	<b>35007405</b>	Black
BOP-SA-9016	<b>35007406</b>	White

**Scope Of Delivery:** 24 pieces

**Notes:** If impact protection is fitted, the screw covers are not needed.



### Rechargeable battery holder for 18650 Li-Ion batteries for BOP 7.0 / BOP 10.1

Model	Order no.	Note
BH 18650-1 LF	<b>59186511</b>	For 1x 18650, connection with soldering tags
BH 18650-1 SMD	<b>59186512</b>	For 1x 18650, for SMD mounting
BH 18650-1 THM	<b>59186513</b>	For 1x 18650, for mounting with solder pins
BH 18650-2 LF	<b>59186521</b>	For 2x 18650, connection with soldering tags
BH 18650-2 SMD	<b>59186522</b>	For 2x 18650, for SMD mounting
BH 18650-2 THM	<b>59186523</b>	For 2x 18650, for mounting with solder pins

**Scope Of Delivery:** 1 rechargeable battery holder

