

The product advantages



The glassbead-reinforced enclosure material provides especially high mechanical stability. SV version with quick-release fastener on request.



The tension range of the moulded-on cable glands is 8-10 mm.



Euromas Polymas has up to four moulded-on cable glands. This ensures that additional processing and mounting are unnecessary.



SV version with quick-release fastener on request.



G version with crystal-clear lid on request.



Quick-Finder:
www.bopla.de/38

Examples of use





BOPLA

A Phoenix Mecano Company

Euromas Polymas



Colour:

● Silver grey, similar to RAL 7001

Special colours on request

Protection class:

IP65 / DIN EN 60529; higher protection class on request

Material:

Enclosure: PA 6-GB 30

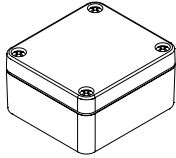
Seal: CR

For details see technical information.

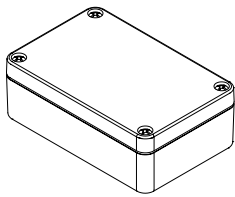


Enclosure sizes

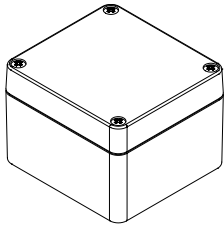
PK 101



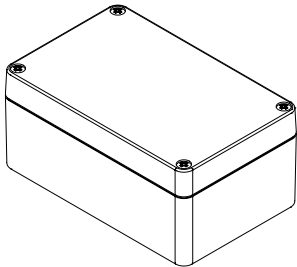
PK 102



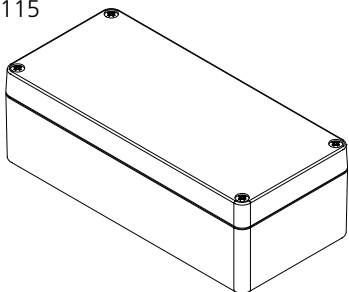
PK 105



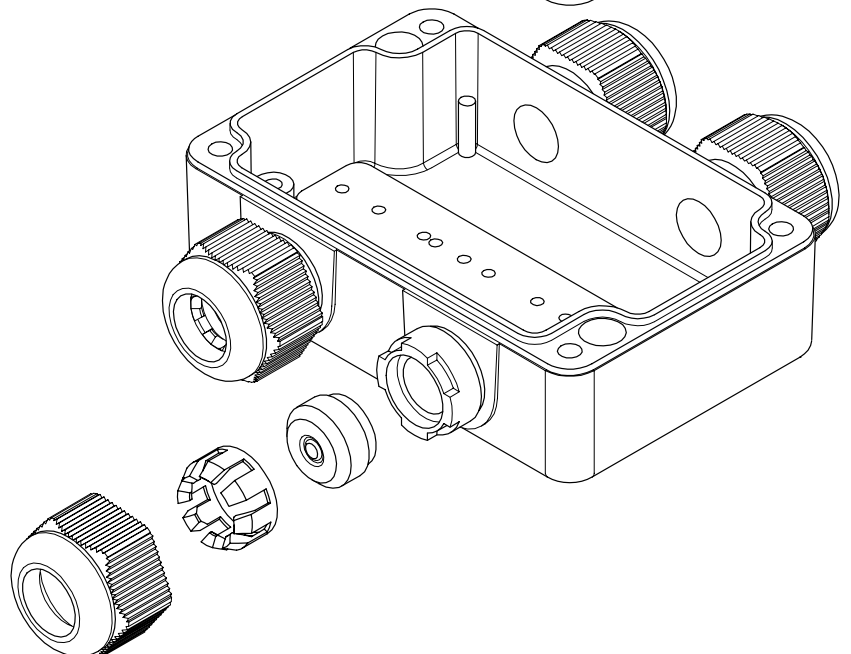
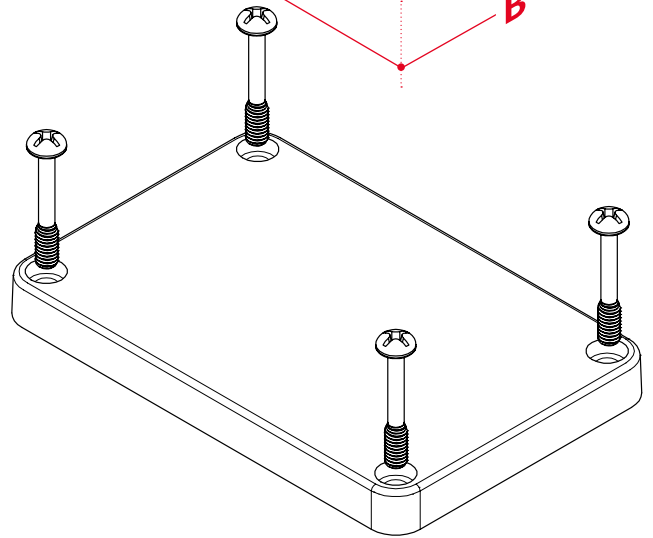
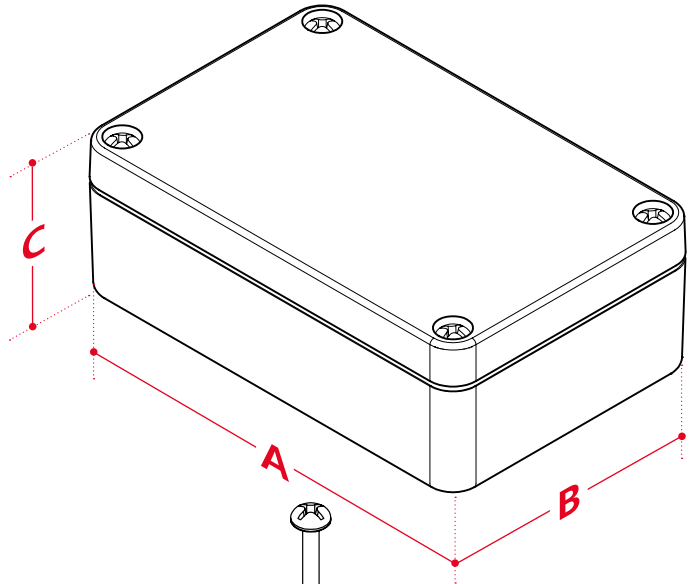
PK 110



PK 115



Design types





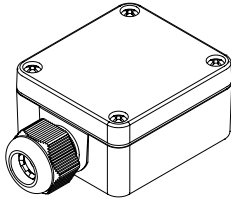
BOPLA

A Phoenix Mecano Company

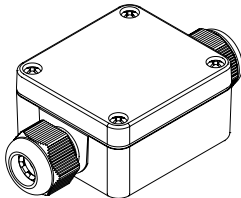
Euromas Polymas

Cable glands

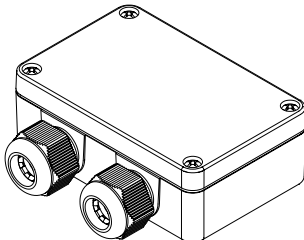
1 moulded-on cable gland
on PK 101-111



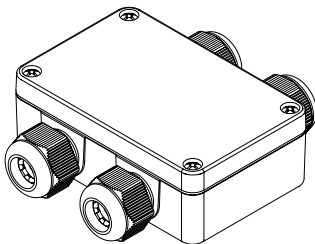
2 moulded-on cable glands
on PK 101-211



2 moulded-on cable glands on
PK 102-211



4 moulded-on cable glands
on PK 102-411



Dimensions

Model	A	B	C
PK 101...	58	64	34
PK 102...	98	64	34
PK 105...	75	80	57
PK 110...	125	80	57
PK 115...	175	80	57

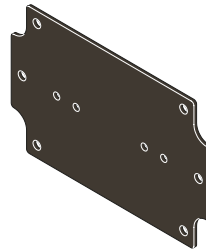
Accessories



DIN rails for PK 105 - 115



Mastbefestigung



Mounting panels in different versions

Euromas Polymas

Enclosure



Enclosure

Model	Order no.	A	B	C	a1	a2	b1	b2	c1	c2
PK 101	38101000	58	64	34	51.4	34	57.4	24	9	28.5
PK 101 G	38101020*	58	64	34	51.4	34	57.4	24	9	28.5
PK 102	38102000	98	64	34	91.4	74	57.4	24	9	28.5
PK 102 G	38102020*	98	64	34	91.4	74	57.4	24	9	28.5
PK 105	38105000	75	80	57	66.6	50.6	71.6	39.6	15	51
PK 105 G	38105020*	75	80	57	66.6	50.6	71.6	39.6	15	51
PK 110	38110000	125	80	57	116.6	100.6	71.6	39.6	15	51
PK 110 G	38110020*	125	80	57	116.6	100.6	71.6	39.6	15	51
PK 115	38115000	175	80	57	166.6	150.6	71.6	39.6	15	51
PK 115 G	38115020*	175	80	57	166.6	150.6	71.6	39.6	15	51

Scope Of Delivery: Lid and base, lid screws made of V2A

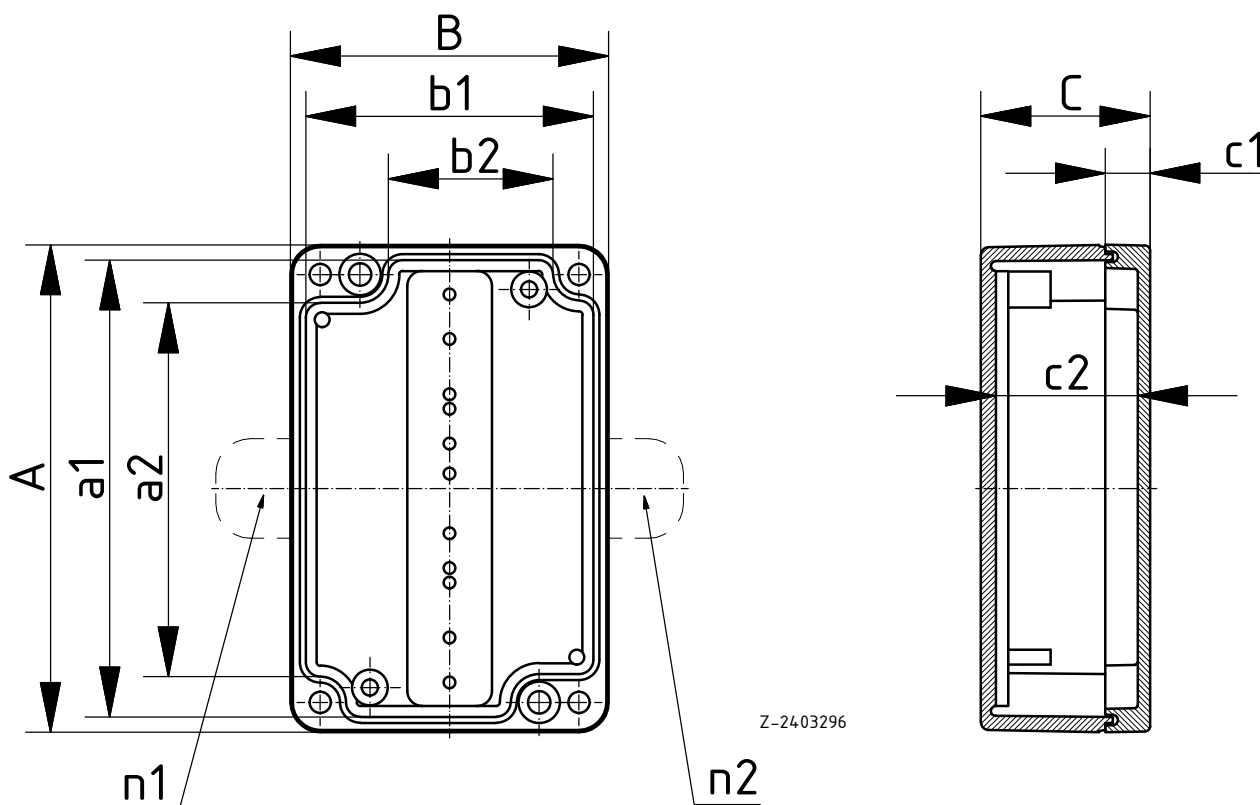
Notes: G = Model with crystal clear lid.



Enclosure with quick-release fastener

Model	Order no.	A	B	C	a1	a2	b1	b2	c1	c2
PK 101 SV	38101500*	58	64	34	51.4	34	57.4	24	9	28.5
PK 102 SV	38102500*	98	64	34	91.4	74	57.4	24	9	28.5
PK 105 SV	38105500*	75	80	57	66.6	50.6	71.6	39.6	15	51
PK 110 SV	38110500*	125	80	57	116.6	100.6	71.6	39.6	15	51
PK 115 SV	38115500*	175	80	57	166.6	150.6	71.6	39.6	15	51

Scope Of Delivery: Lid and base, quick-release fastener made of nickel-plated GD-Zn Al4 Cu1



Euromas Polymas

Enclosures with cable glands

Enclosure with a moulded-on Pg 11

Model	Order no.	A	B	C	a1	a2	b1	b2	c1	c2
PK 101-111	38101100	58	64	34	51.4	34	57.4	24	9	28.5
PK 101-111 G	38101120*	58	64	34	51.4	34	57.4	24	9	28.5

Scope Of Delivery: Lid and base, lid screws made of V2A, 1 moulded-on cable gland, Pg 11 including clamping cage, pressure screw and continuous sealing ring

Notes: G = Model with crystal clear lid.



Enclosure with quick-release fastener and a moulded-on Pg 11

Model	Order no.	A	B	C	a1	a2	b1	b2	c1	c2
PK 101-111 SV	38101600	58	64	34	51.4	34	57.4	24	9	28.5

Scope Of Delivery: Lid and base, quick-release fastener made of nickel-plated GD-Zn Al4 Cu1, 1 moulded-on cable gland, Pg 11 including clamping cage, pressure screw and continuous sealing ring



Enclosure with 2 moulded-on Pg 11

Model	Order no.	A	B	C	a1	a2	b1	b2	c1	c2
PK 101-211	38101200	58	64	34	51.4	34	57.4	24	9	28.5
PK 101-211 G	38101220*	58	64	34	51.4	34	57.4	24	9	28.5
PK 102-211	38102200	98	64	34	91.4	74	57.4	24	9	28.5
PK 102-211 G	38102220*	98	64	34	91.4	74	57.4	24	9	28.5

Scope Of Delivery: Lid and base, lid screws made of V2A, 2 moulded-on cable glands, Pg 11 including clamping cage, pressure screw and continuous sealing ring

Notes: G = Crystal-clear lid. Note arrangement of cable glands (see photos at start of chapter).



Enclosure with quick-release fastener and 2 moulded-on Pg 11

Model	Order no.	A	B	C	a1	a2	b1	b2	c1	c2
PK 101-211 SV	38101700	58	64	34	51.4	34	57.4	24	9	28.5
PK 102-211 SV	38102700	98	64	34	91.4	74	57.4	24	9	28.5

Scope Of Delivery: Lid and base, quick-release fastener made of nickel-plated GD-Zn Al4 Cu1, 2 moulded-on cable glands, Pg 11 including clamping cage, pressure screw and continuous sealing ring

Notes: Note arrangement of cable glands (see photos at start of chapter).



Enclosure with 4 moulded-on Pg 11

Model	Order no.	A	B	C	a1	a2	b1	b2	c1	c2
PK 102-411	38102400	98	64	34	91.4	74	57.4	24	9	28.5
PK 102-411 G	38102420*	98	64	34	91.4	74	57.4	24	9	28.5

Scope Of Delivery: Lid and base, lid screws made of V2A, 4 moulded-on cable glands, Pg 11 including clamping cage, pressure screw and continuous sealing ring

Notes: G = Model with crystal clear lid.



Euromas Polymas

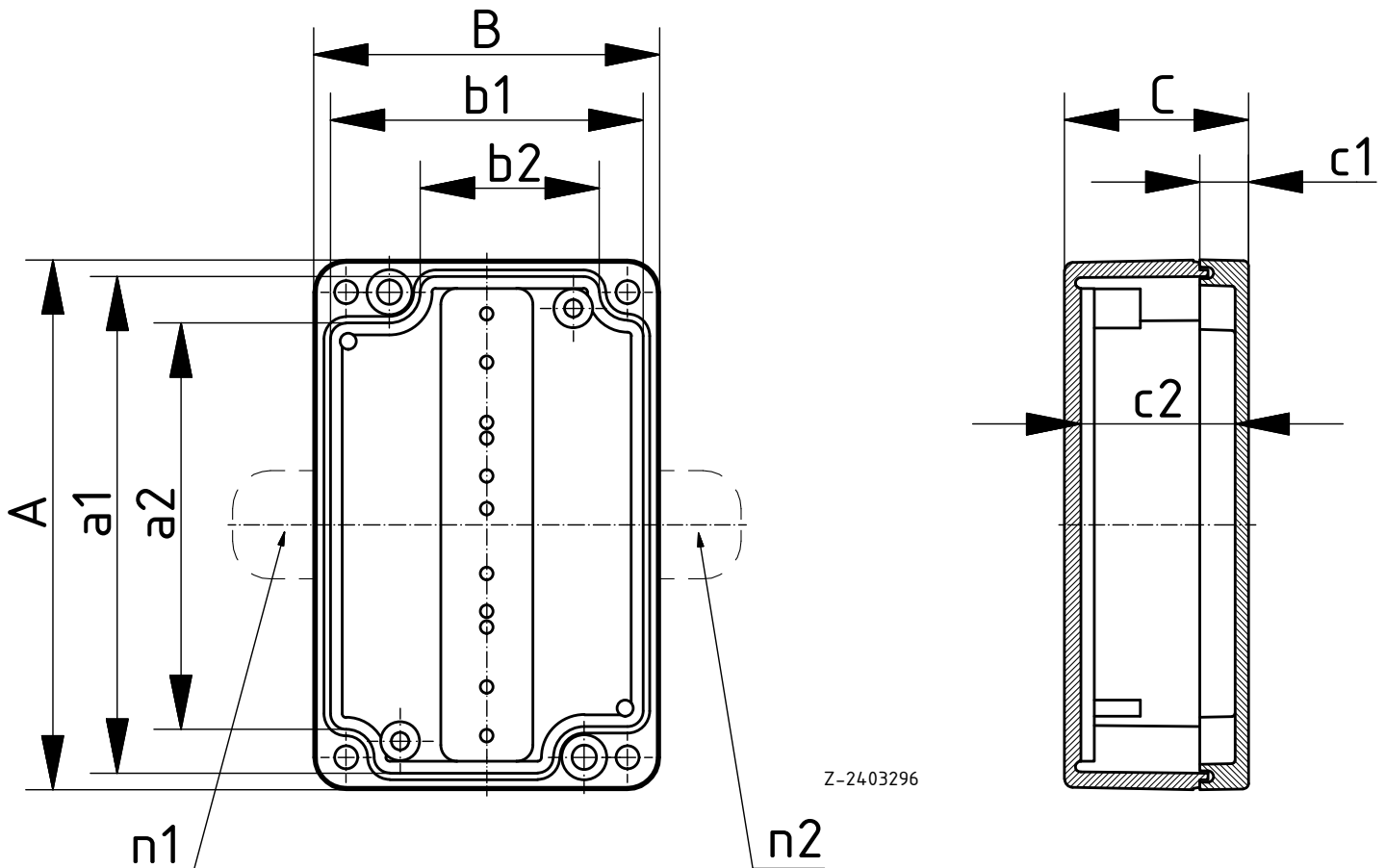
Enclosures with cable glands



Enclosure with quick-release fastener and 4 moulded-on Pg 11

Model	Order no.	A	B	C	a1	a2	b1	b2	c1	c2
PK 102-411 SV	38102900	98	64	34	91.4	74	57.4	24	9	28.5

Scope Of Delivery: Lid and base, quick-release fastener made of nickel-plated GD-Zn Al4 Cu1, 4 moulded-on cable glands, Pg 11 including clamping cage, pressure screw and continuous sealing ring



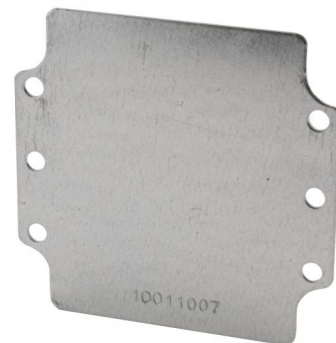
Euromas Polymas

Mounting panels

Mounting panels for PK 105 - 115, galvanised sheet steel

Model	Order no.	Note
M	21001100	For A 105, PK 105
M	21001200	For A 110, PK 110
M	21001300	For A 115, PK 115

Scope Of Delivery: 1 mounting panel



Euromas Polymas

DIN rails



DIN rails for PK 105 - 115, DIN EN 60715 TH 15

Model	Order no.	Note
TS 15	21002800*	For A 105, P 305, P 326, PK 105
TS 15	21002900*	For A 110, PK 110
TS 15	21003000*	For A 115, PK 115

Scope Of Delivery: 1 DIN rail



BOPLA

A Phoenix Mecano Company